

Grizzly **Industrial, Inc.**®

MODEL H8215 6" DUAL ACTION AIR SANDER INSTRUCTION MANUAL



COPYRIGHT © AUGUST, 2007 BY GRIZZLY INDUSTRIAL, INC.
**WARNING: NO PORTION OF THIS MANUAL MAY BE REPRODUCED IN ANY SHAPE
OR FORM WITHOUT THE WRITTEN APPROVAL OF GRIZZLY INDUSTRIAL, INC.**
#JM9838 PRINTED IN CHINA

 **WARNING!**

This manual provides critical safety instructions on the proper setup, operation, maintenance and service of this machine/equipment.

Failure to read, understand and follow the instructions given in this manual may result in serious personal injury, including amputation, electrocution or death.

The owner of this machine/equipment is solely responsible for its safe use. This responsibility includes but is not limited to proper installation in a safe environment, personnel training and usage authorization, proper inspection and maintenance, manual availability and comprehension, application of safety devices, blade/cutter integrity, and the usage of personal protective equipment.

The manufacturer will not be held liable for injury or property damage from negligence, improper training, machine modifications or misuse.

 **WARNING!**

Some dust created by power sanding, sawing, grinding, drilling, and other construction activities contains chemicals known to the State of California to cause cancer, birth defects or other reproductive harm. Some examples of these chemicals are:

- **Lead from lead-based paints.**
- **Crystalline silica from bricks, cement and other masonry products.**
- **Arsenic and chromium from chemically-treated lumber.**

Your risk from these exposures varies, depending on how often you do this type of work. To reduce your exposure to these chemicals: Work in a well ventilated area, and work with approved safety equipment, such as those dust masks that are specially designed to filter out microscopic particles.

SAFETY

WARNING

For Your Own Safety Read Instruction Manual Before Operating This Equipment

The purpose of safety symbols is to attract your attention to possible hazardous conditions. This manual uses a series of symbols and signal words which are intended to convey the level of importance of the safety messages. The progression of symbols is described below. Remember that safety messages by themselves do not eliminate danger and are not a substitute for proper accident prevention measures.



Indicates an imminently hazardous situation which, if not avoided, **WILL** result in death or serious injury.



Indicates a potentially hazardous situation which, if not avoided, **COULD** result in death or serious injury.



Indicates a potentially hazardous situation which, if not avoided, **MAY** result in minor or moderate injury. It may also be used to alert against unsafe practices.

NOTICE

This symbol is used to alert the user to useful information about proper operation of the equipment.

WARNING

Safety Instructions for Pneumatic Tools

- 1. READ THIS MANUAL.** This tool may cause personal injury if used incorrectly. This manual contains proper safety and operating instructions that must be followed to reduce this risk.
- 2. WEAR EYE PROTECTION.** This tool may throw small fragments during operation, which may cause serious eye injury. Always wear ANSI approved safety glasses or face shield to reduce your risk from this hazard.
- 3. WEAR A RESPIRATOR.** This tool may produce fine dust during operation, which can cause respiratory injury if inhaled. Always wear a respirator NIOSH approved for the type of material being processed.
- 4. WEAR HEARING PROTECTION.** Operating this tool for prolonged time periods may damage your hearing. Your risk depends on length and frequency of use. To reduce your risk of this hazard, wear hearing protection.
- 5. MAINTAIN SAFETY GUARDS.** Your tool may be equipped with safety guards or other structural components designed to reduce the risk of injury during operation. Never modify or operate this tool with any guards or components removed or damaged.
- 6. KEEP CHILDREN AWAY.** Prevent children from injury by keeping them away from this tool. Disconnect and lock the tool away when not in use.

7. **AVOID ENTANGLEMENTS.** Do not wear loose clothing, gloves, neckties, rings, bracelets, or other jewelry, which may get caught in moving parts, when operating this tool. Wear a protective hair covering to contain long hair.
8. **USE CORRECT AIR PRESSURE.** Exceeding the maximum PSI rating of this tool may cause unpredictable operation or bursting.
9. **DISCONNECT AIR PRESSURE** before servicing, changing accessories, or moving to another location. Never leave this tool unattended when connected to air.
10. **SECURE TOOLING.** Always verify tooling is secure before operation.
11. **SHARP SURFACES.** DO NOT place hands near the tooling surfaces when in operation.
12. **REMOVE ADJUSTING KEYS AND WRENCHES AFTER USE.** These tools become dangerous projectiles if left on the tool when it is started.
13. **AVOID FLAMMABLES.** Do not use this tool around any flammables that may be ignited by sparks.
14. **SECURE WORK.** Use clamps or a vise to hold work when practical. It is safer than using your hand and frees both hands to operate tool.
15. **MAINTAIN TOOLS WITH CARE.** Keep tools lubricated and clean for best and safest performance. Follow instructions for lubricating and changing accessories.
16. **DO NOT FORCE TOOL.** It will do the job better and safer at the rate for which it was designed.
17. **CHECK FOR DAMAGED PARTS BEFORE USING.** Check for binding and alignment of parts, broken parts, part mounting, loose bolts, and any other conditions that may affect operation. Repair or replace damaged parts before operating.
18. **USE GOOD LIGHTING.** Keep work area well lighted. Dark work areas increase risk of accidental injury.
19. **AVOID UNINTENTIONAL OPERATION.** Always disconnect air when not in use, and do not carry tool with hand on trigger.
20. **USE THE RECOMMENDED ACCESSORIES.** Consult owner's manual for recommended accessories. Using improper accessories may increase the risk of injury.
21. **NEVER ALLOW UNTRAINED USERS TO USE THIS TOOL WHILE UNSUPERVISED.**
22. **IF YOU ARE UNSURE OF THE INTENDED OPERATION, STOP USING TOOL.** Seek formal training or research books or magazines that specialize in pneumatic tools.
23. **BE AWARE OF HOSE LOCATION.** Hoses can easily become a tripping hazard when laid across the floor in a disorganized fashion.
24. **DO NOT USE UNDER THE INFLUENCE OF DRUGS OR ALCOHOL, OR WHEN TIRED.**

CAUTION

No list of safety guidelines is complete, because every work environment is different. Always consider safety first and use common sense. Failure to use this tool with caution and respect could result in serious personal injury.

INTRODUCTION

Foreword

The specifications, details, and photographs in this manual represent the Model H8215 as supplied when the manual was prepared. However, owing to Grizzly's policy of continuous improvement, changes may be made at any time with no obligation on the part of Grizzly.

If you have any comments regarding this manual, please write to us at the following address:

Grizzly Industrial, Inc.
C/O Technical Documentation
P.O. Box 2069
Bellingham, WA 98227-2069
E-Mail: manuals@grizzly.com

Most importantly, we stand behind our tools. If you have any service questions or parts requests, please call or write us at the location listed below.

Grizzly Industrial, Inc.
1203 Lycoming Mall Circle
Muncy, PA 17756
Phone: (570) 546-9663
Fax: (800) 438-5901
E-Mail: techsupport@grizzly.com
Web Site: <http://www.grizzly.com>

Specifications

Sanding Pad.....6"
No Load Speed.....10,000 RPM
Air Consumption.....4 CFM
Air Inlet.....1/4"
Required PSI.....90 PSI
Maximum Sound Level.....84 dB
Sandpaper Type.....PSA

Inventory

- A. Dual Action Air Sander
- B. Oil Bottle
- C. 1/4" NPT Male Quick Connect Fitting
- D. 6" Sanding Disc

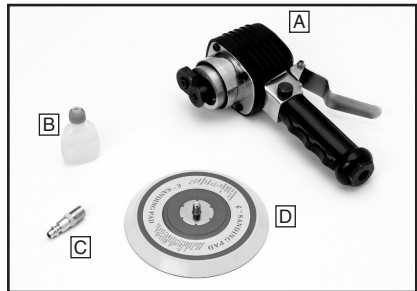
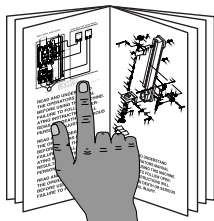


Figure 1. Model H8215 Inventory.

OPERATIONS

!WARNING



Read the manual before operation. Become familiar with this tool, its safety instructions, and its operation before beginning any work. Serious personal injury may result if safety or operational information is not understood or followed.

!WARNING

Like all tools there is potential danger when operating this tool. Accidents are frequently caused by lack of familiarity or failure to pay attention. If normal safety precautions are overlooked or ignored, serious personal injury may occur.

To set up the Model H8215 Air Sander:

1. DISCONNECT THE SANDER FROM THE AIR SUPPLY!
2. Firmly holding the orbital shaft, rotate the spindle swivel lock against one of the spindle flats.
3. Thread the sanding pad onto the drive spindle.
4. Install the ¼" NPT male quick-connect fitting into the air inlet.
5. Attach a 6" pressure sensitive adhesive (PSA) sanding disc to the sanding pad, as shown in **Figure 2**.

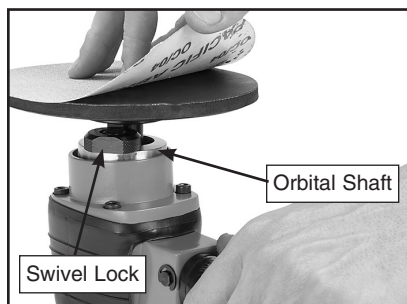


Figure 2. Attaching sanding disc.

⚠ WARNING	
	EYE INJURY HAZARD! Wear protective equipment when using this tool.

⚠ WARNING	
	LUNG/EAR INJURY HAZARD! Wear protective equipment when using this tool.
	ACCIDENTAL START HAZARD! Disconnect before service or tool changes.
	AIR PRESSURE HAZARD! Never exceed 120 PSI.

Operation

1. Connect the tool to compressed air regulated at 90 PSI.
2. Hold the sander firmly and press the throttle lever (**Figure 3**) to turn it **ON**.

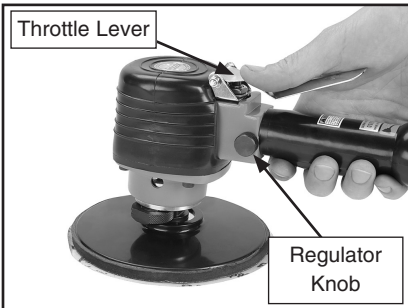


Figure 3. Sander controls.

3. Turn the regulator knob (**Figure 3**) to adjust the speed of the sanding disc.
4. Remove pressure on the throttle lever to stop the sander.
5. When the sandpaper loses its effectiveness, remove sandpaper from the pad and install a new disc.
6. To avoid accidental starting, disconnect the sander from the air supply when it is not in use or when performing maintenance.

Daily Maintenance

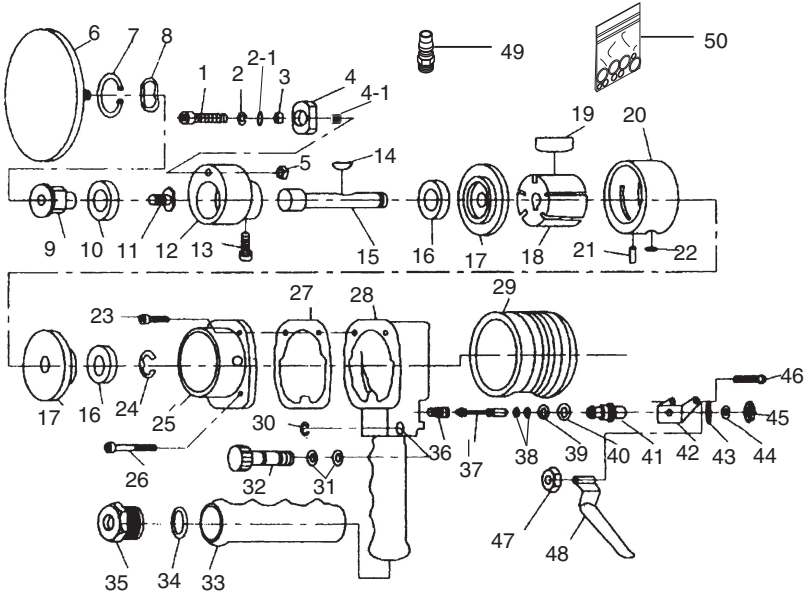
The dual action sander **MUST** have 2-6 drops of oil directly dropped into the air fitting before and after each use. A filter regulator set up is recommended, however an in-line lubricator is not recommended as excess oil in the tool could spray onto the workpiece.

Run the sander for a few minutes to eject excess oil, then wipe the tool down with a rag and begin sanding. Oil the tool after use or storage.

These procedures should be done after each use:

- Wipe the housing and tool bits with a dry cloth, or blow off the dust and debris with compressed air.
- Check for damage to tooling, hoses, housing or other accessories.

H8215 PARTS LIST



REF	PART #	DESCRIPTION
1	PSB48M	CAP SCREW M6-1 X 35
2	PLW03M	LOCK WASHER 6MM
2-1	PW03M	FLAT WASHER 6MM
3	PH8215003	WAVY WASHER 6MM
4	PH8215004	SPECIAL NUT
4-1	PH8215004-1	BRASS BUSHING
5	PLN03M	LOCK NUT M6-1
6	PH8215006	6" SANDING PAD
7	PR29M	INT RETAINING RING 32MM
8	PH8215008	WAVY WASHER 12MM
9	PH8215009	DRIVE SPINDLE
10	P6201	BALL BEARING 6201ZZ
11	PH8215011	SPECIAL BOLT
12	PH8215012	ORBITAL SHAFT
13	PSB38M	CAP SCREW M5-.8 X 25
14	PH8215014	WOODRUFF KEY
15	PH8215015	ANVIL
16	P6200	BALL BEARING 6200ZZ
17	PH8215017	CYLINDER CAP
18	PH8215018	ROTOR
19	PH8215019	ROTOR BLADE
20	PH8215020	CYLINDER
21	PRP44M	ROLL PIN 3 X10
22	PORP008	O-RING 7.8 X 1.9 P8
23	PSB15M	CAP SCREW M5-.8 X 20
24	PEC03M	E-CLIP 10MM

REF	PART #	DESCRIPTION
25	PH8215025	MOTOR HOUSING
26	PSB15M	CAP SCREW M5-.8 X 20
27	PH8215027	GASKET
28	PH8215028	HOUSING
29	PH8215029	HOUSING GRIP
30	PEC015M	E-CLIP 8MM
31	PORS005	O-RING 4.5 X 1.5 S5
32	PH8215032	SPEED REGULATOR
33	PH8215033	HANDING COVER
34	PORS022.4	O-RING 21.9 X 2.0 S22.4
35	PH8215035	AIR INLET PLUG
36	PH8215036	COMPRESSION SPRING
37	PH8215037	VALVE STEM
38	PORP004	O-RING 3.8 X 1.9 P4
39	PORS004	O-RING 3.5 X 1.5 S4
40	PORS008	O-RING 7.5 X 1.5 S8
41	PH8215041	VALVE SEAT
42	PH8215042	TRIGGER BRACKET
43	PW04M	FLAT WASHER 10MM
44	PLW06M	LOCK WASHER 10MM
45	PN02M	HEX NUT M10-1.5
46	PS25M	PHLP HD SCR M4-.7 X 35
47	PLN01M	LOCK NUT M4-.7
48	PH8215048	TRIGGER
49	PH8215049	1/4" NPT MALE AIR FITTING
50	PH8215050	O-RING KIT